



shown in Textured Bronze
with 42" Barn Wood blades



shown in Matte Black
with 42" Walnut blades



shown in Brushed Brass
with 60" Walnut blades



Irene-5H

Designed in 2013

Cutting a figure like no other, the Irene-5H ceiling-mount fan, is rustic, yet strikingly modern with five neatly joined, solid wood walnut or barn wood tone blades. A cylindrical motor housing complements its minimal profile. Irene-5H is streamline while still appearing warm and natural. Constructed of cast aluminum and heavy stamped steel, the Irene-5H has a limited lifetime warranty.



shown in Brushed Nickel
with 52" Walnut blades



shown in Polished Chrome
with 60" Walnut blades



shown in Gloss White
with 42" Walnut blades

Irene-5H

TECHNICAL SPECIFICATIONS

CEILING PITCH TABLE

0/12	0 degrees
1/12	4.76 degrees
2/12	9.46 degrees
3/12	14.04 degrees
4/12	18.43 degrees
5/12	22.62 degrees
6/12	26.57 degrees
7/12	30.26 degrees
8/12	33.69 degrees
9/12	36.87 degrees
10/12	39.81 degrees
11/12	42.51 degrees

CEILING HEIGHT TABLE

Suitable for ceiling heights 7'10" or greater

SKU NAMING CONVENTION

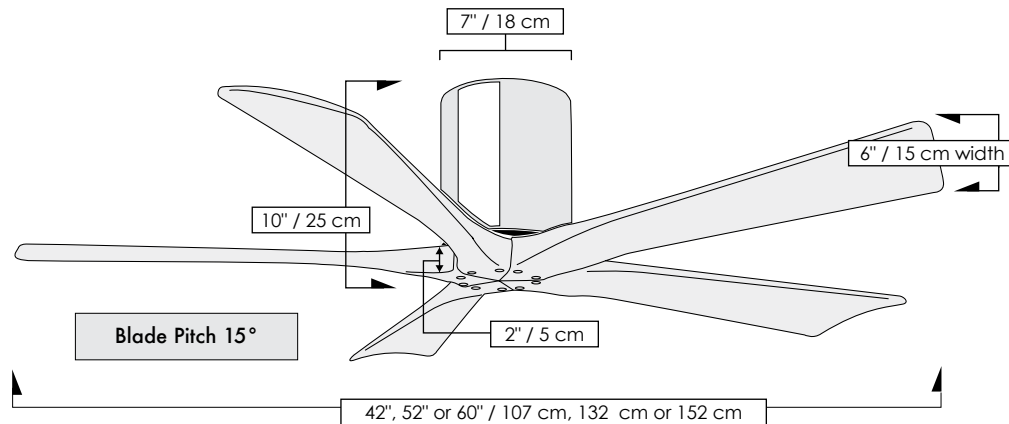
SKU#	IR5H-XX-XX-XX (Model+Finish+Blade+Diameter)
Finishes (Ask us about custom colors)	Brushed Brass - BRBR
	Brushed Nickel - BN
	Gloss White - WH
	Matte Black - BK
	Polished Chrome - CR
	Textured Bronze - TB
Blade Finish	Barnwood Tone - BW
	Walnut Tone - WA
Fan Diameter	42 inches / 107 cm - 42
	52 inches / 132 cm - 52
	60 inches / 152 cm - 60

STANDARD EQUIPMENT

6-speed RF remote control with reverse function in black



Wireless Decora-style, 6-speed, wall control in white



FAN SPECIFICATIONS

Fan Diameters	inches: 42, 52 or 60 centimeters: 107, 132 or 152
Overall Drop	10 inches / 25 cm
Fan Weight	12 lbs
Voltage	110 or 220
Motor Type	DC
Remote Control	Hand-held, wall-mountable, 6-speed with reverse
Wall Control	Decora-style wall control: DC-WC
Environment	Damp locations for all finishes Neither coastal, saltwater nor chlorine compatible
Ambience	Silent
Safety Certification	ETL / CETL
Warranty	Limited Lifetime

MOTOR EFFICIENCY DATA AT HIGH SPEEDS

	42 inch / 107 cm	52 inch / 132 cm	60 inch / 152 cm
RPM	226	151	78
CFM	3988.58	4969.92	3543.44
Watts	25.76	31.46	31.58
CFM/Watt	154.84	157.98	112.12
Blade Pitch	15°	15°	15°

Matthews Fan Company

1881 Industrial Drive
Libertyville, IL 60048
Tele: 847.680.9043
Fax: 847.680.8140

www.matthewsfanco.com

© 2017 Matthews Fan Company. All rights reserved.

