

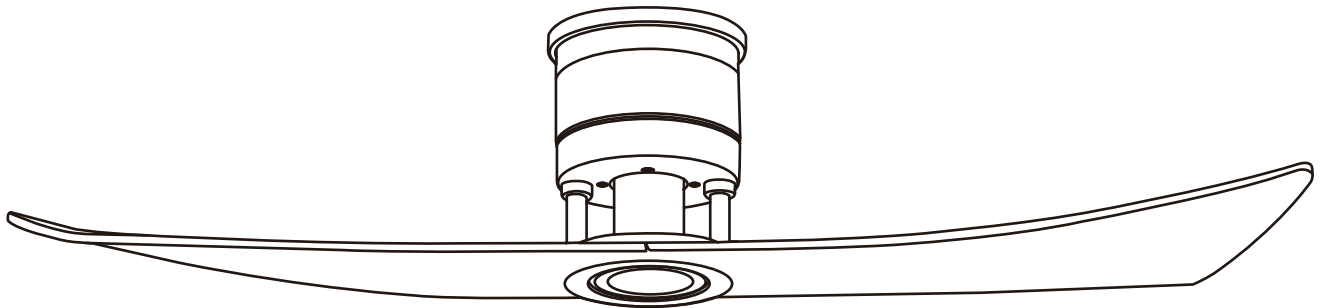


# Lindsay

## 52" CEILING FAN

---

**READ AND SAVE THESE INSTRUCTIONS**



**FAN RATING AC 120V. 60Hz**

**For Damp Location**

**QUICK ASSEMBLY NOTES:**

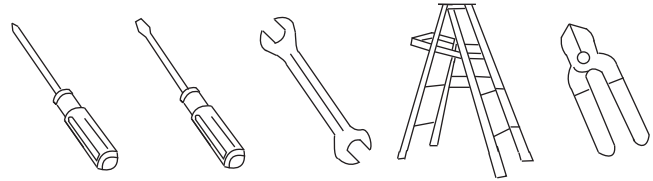
- \* Do not wire in fan while house wires are Live. Turn power off at breaker before installation begins.
- \* Do not use any controls, wall or remote, other than those provided by Matthews Fan Company.
- \* Please do not use any electric or battery powered tools in the assembly and installation of this or any other Matthews Fan Company product.
- \* Fan should be assembled and mounted by two people.

# TABLE OF CONTENTS

Tools and Materials Required.....	1
Package Contents .....	1
Safety Rules.....	2
Mounting Options.....	3
Hanging the Fan .....	4
Make the Electric Connections.....	5
Finishing the Installation.....	6
Attaching the Mounting Plate.....	7
Installing the LED Light Kit.....	7
Attaching the Plastic Shade.....	8
Attaching the Fan Blades.....	8
Attaching the Fan Decorative Cover.....	8
Programming Your Fan and Operating the Remote Control.....	9
Programming Your Fan and Operating the Wall Control.....	11
Operating Your Fan .....	13
Care of Your Fan.....	13
Troubleshooting.....	14
Limited Lifetime Warranty .....	15

# 1. TOOLS AND MATERIALS REQUIRED

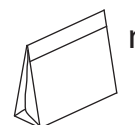
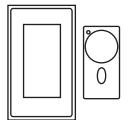
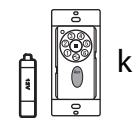
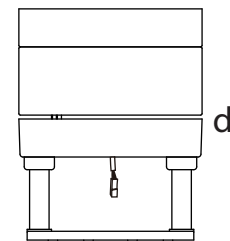
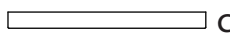
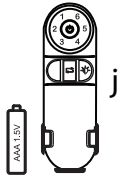
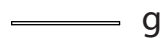
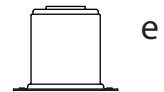
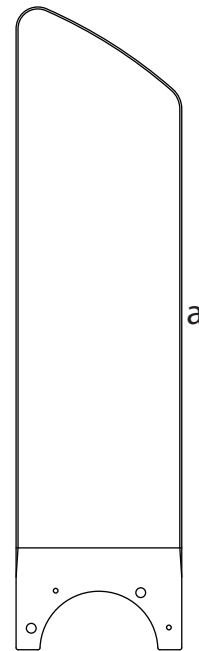
- Philips screwdriver
- Blade screwdriver
- 11 mm wrench
- Step ladder
- Wire cutters



# 2. PACKAGE CONTENTS

Unpack your fan and check the contents. You should have the following items:

- a. Blade set (2)
- b. Mounting bracket (preassembled with fan motor assembly)
- c. Decorative ring
- d. Fan motor assembly
- e. Mounting plate
- f. 17W LED light kit
- g. Plastic shade
- h. Light decorative cover
- i. Decorative cover
- j. Hand held transmitter+holder+2 mounting screws+2 AAA batteries
- k. Wall transmitter incl. 2 mounting screws and 3 wire nuts+a 12V battery
- l. Wall plate incl. 1 face plate and 2 mounting screws
- m. Allen wrench
- n. Package hardware
  - 1) Mounting hardware: wood screws (2), screws (2), lock washers (2), washers (2), star washers (2), wire nuts (3)
  - 2) Blade attachment hardware: screws with lock washers (5), flat washers (5), Allen screws (5)



Please do not use any electric or battery powered tools in the assembly and installation of this or any Matthews Fan Company product.

### 3. SAFETY RULES

1. To reduce the risk of electric shock, insure electricity has been turned off at the circuit breaker or fuse box before beginning.
2. All wiring must be in accordance with the National Electrical Code and local electrical codes. Electrical installation should be performed by a qualified licensed electrician.
3. **WARNING:** To reduce the risk of electrical shock and fire, do not use this fan with any solid-state fan speed control device.
4. **WARNING:** To Reduce The Risk Of Fire, Electric Shock, Or Personal Injury, Mount To Outlet Box Marked Acceptable for Fan Support of 15.9 kg (35 lbs) or less And Use Mounting Screws Provided With The Outlet Box. Most outlet boxes commonly used for the support of lighting fixtures are not acceptable for fan support and may need to be replaced, consult a qualified electrician if in doubt.
5. The fan must be mounted with a minimum of 7 feet clearance from the trailing edge of the blades to the floor.
6. To operate the reverse function on this fan, press the reverse button while the fan is running.
7. Avoid placing objects in the path of the blades.
8. To avoid personal injury or damage to the fan and other items, be cautious when working around or cleaning the fan.
9. Do not use water or detergents when cleaning the fan or fan blades. A dry dust cloth or lightly dampened cloth will be suitable for most cleaning.
10. After marking electrical connections, spliced conductors should be turned upward and pushed carefully up into outlet box. The wires should be spread apart with the grounded conductor and the equipment -grounding conductor on one side of the outlet box.
11. Electrical diagrams are reference only. Light kit that are not packed with the fan must be UL Listed and marked suitable for use with the model fan you are installing. Switches must be UL General Use Switches. Refer to the Instructions packaged with the light kits and switches for proper assembly.
12. This device complies with part 15 of the FCC Rules. Operation is subject to the following two conditions: (1) This device may not cause harmful interference, and (2) this device must accept any interference received, including interference that may cause undesired operation.

**WARNING**  
TO REDUCE THE RISK OF PERSONAL INJURY, DO NOT BEND THE BLADE BRACKETS (ALSO REFERRED TO AS FLANGES) DURING ASSEMBLY OR AFTER INSTALLATION. DO NOT INSERT OBJECTS IN THE PATH OF THE BLADES.

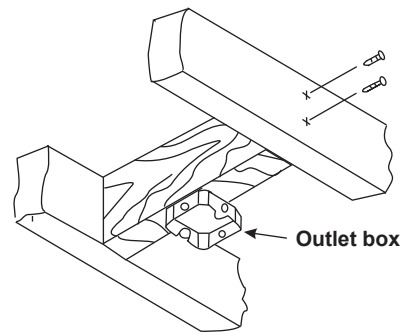
## 4. MOUNTING OPTIONS

If there isn't an existing UL listed mounting box, then read the following instructions. Disconnect the power by removing fuses or turning off circuit breakers.

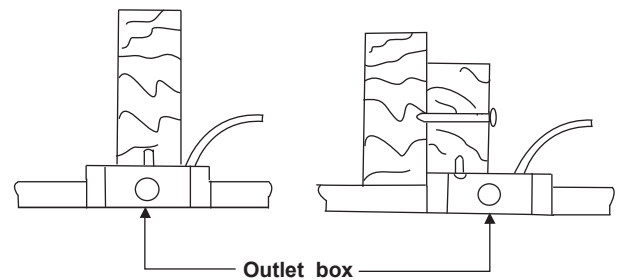
Secure the outlet box directly to the building structure. Use appropriate fasteners and building materials. The outlet box and its support must be able to fully support the moving weight of the fan (at least 35 lbs). Do not use plastic outlet boxes.

Figures 1 and 2 are examples of different ways to mount the outlet box.

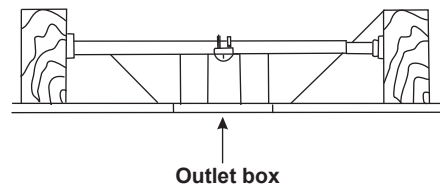
To hang your fan where there is an existing fixture but no ceiling joist, you may need an installation hanger bar as shown in Figure 3.



**Figure 1**



**Figure 2**



**Figure 3**

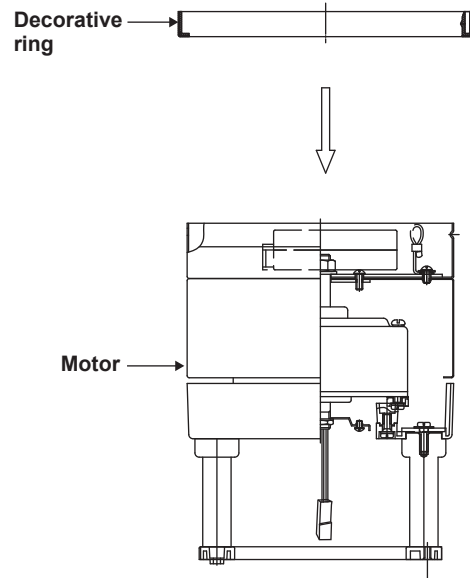
## 5. HANGING THE FAN

**REMEMBER** to turn off the power. Follow the steps below to hang your fan properly:

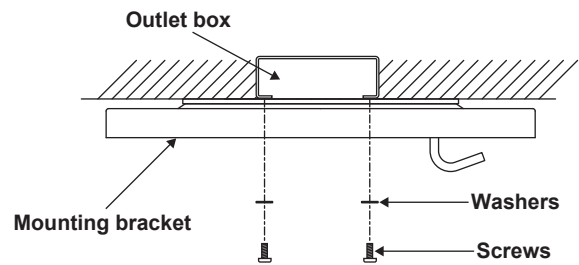
1. Slide the decorative ring down and through the motor. (Fig. 4)

2. Attach the mounting bracket to the outlet box using the two screws and washers provided with the outlet box. For best performance be sure the mounting bracket is level and secured firmly against the ceiling. You may need to insert additional washers (not provided) between the outlet box and mounting bracket to make it level. (Fig. 5).

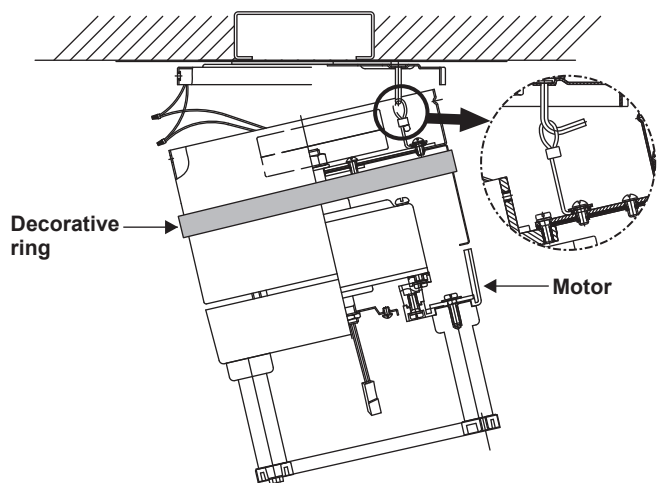
3. Lift fan into position by hanging the motor assembly onto the hook from the mounting bracket allowing it to hang freely (Fig. 6).



**Figure 4**



**Figure 5**



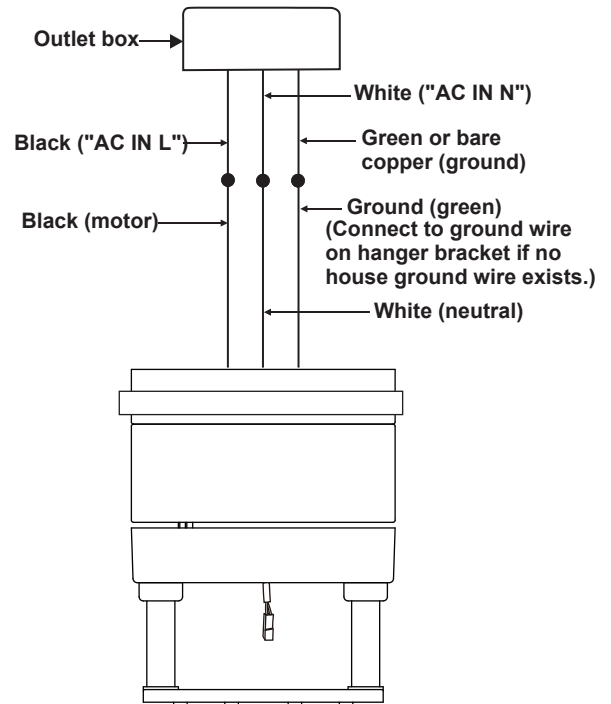
**Figure 6**

## 6. MAKE THE ELECTRICAL CONNECTIONS

**NOTE:** Your fan has included as standard equipment two types of controls: a hand held remote control and a wall mounted wall control. You may use both as long as both controls paired with the fan. Please refer page 9 and 12 regarding programming the remote with fan.

Disconnect the power at the electrical box. Follow the steps below to connect the fan to your household wiring. Use the wire connecting nuts supplied with your fan. Secure the connectors with electrical tape. Make sure there are no loose strands or connections.

1. Connect the fan supply (black) wire to the black household supply wire as shown in Fig. 7.
2. Connect the neutral fan (white) wire to the white neutral household wire. (Fig. 7)
3. Connect the fan ground wire (green) to the household ground wire.
4. Check the plug with multiple colored wires is making proper contact.
5. After all splices are made, check to make sure there are no loose strands. As an additional precaution we suggest to secure the plastic wire connectors to the wires with electrical tape.

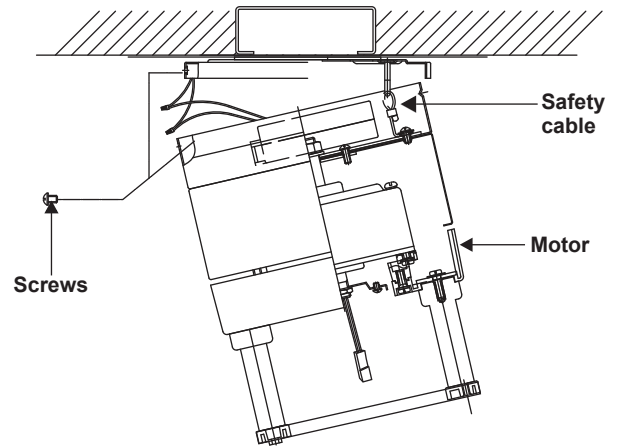


**Figure 7**

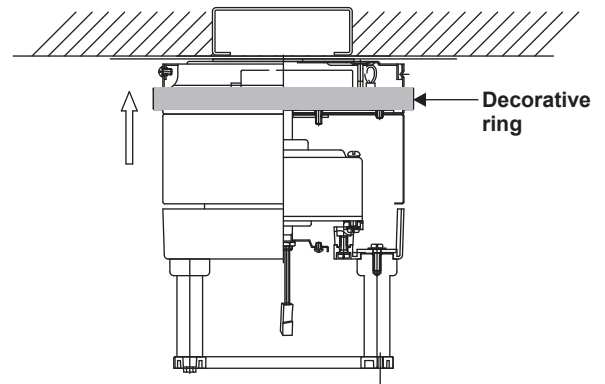
## 7. FINISHING THE INSTALLATION

1. Move fan motor into position over the four mounting holes and secure with the four screws provided. The safety support is provided to prevent the fan from falling. Secure the safety cable securely onto the hook. (Fig. 8)

2. Raise up decorative ring and line up the four tabs with the four grooves on the motor housing. Once lined up, slide the decorative ring up to the motor housing until snug. (Fig. 9)



**Figure 8**



**Figure 9**



## 8. ATTACHING THE MOUNTING PLATE

1. Remove 1 of the 3 screws from the mounting ring and keep it for future use. Loosen the other 2 screws. (Do not remove)

2. Place the key holes on the mounting plate over the 2 screws previously loosened from the mounting ring, turn mounting plate until it locks in place at the narrow section of the key holes. Secure by tightening the 2 screws previously loosened and the one previously removed. (Fig. 10)

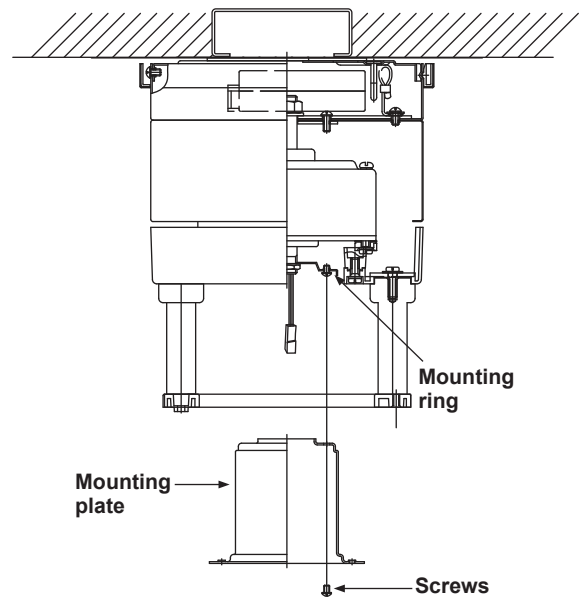


Figure 10

## 9. INSTALLING THE LED LIGHT KIT

1. Remove 1 of the 3 screws from the mounting plate and keep it for future use. Loosen the other 2 screws. (Do not remove)

2. Raise and hold the LED light kit close to the mounting plate and proceed to do the wire connections. Make the 2-pin wire connections: (Fig. 11)

- White to white
- Black to black

3. Place the key holes on the LED light kit over the 2 screws previously loosened from the mounting plate, turn LED light kit until it locks in place at the narrow section of the key holes. Secure by tightening the 2 screws previously loosened and the one previously removed. (Fig. 13)

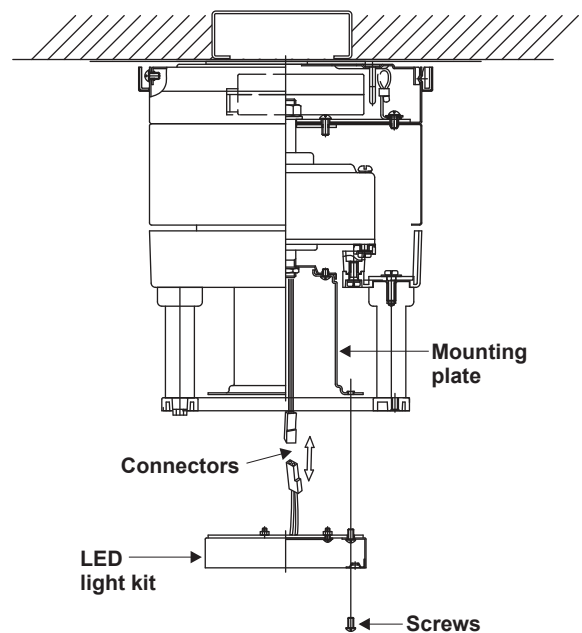


Figure 11

## 10. ATTACHING THE PLASTIC SHADE

1. Attach the plastic shade to the LED light kit with the 2 screws provided. (Fig. 12)

3. Raise light decorative cover up against the LED light kit and secure it to the fan by turning the light decorative cover clockwise until snug. DO NOT OVERTIGHTEN. (Fig. 12)

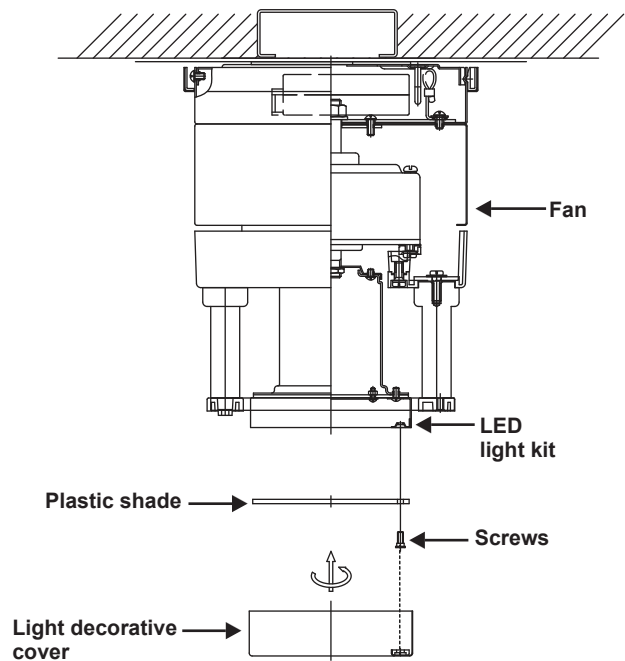


Figure 12

## 11. ATTACHING THE FAN BLADES

1. Align the two small circular holes on blade with the holes on bottom of the fan, secure by tightening the two screws with lock washers and flat washers provided as shown in Figure 13. Repeat for the remaining blades.

2. Tighten each screw. Make sure the blade is straight.

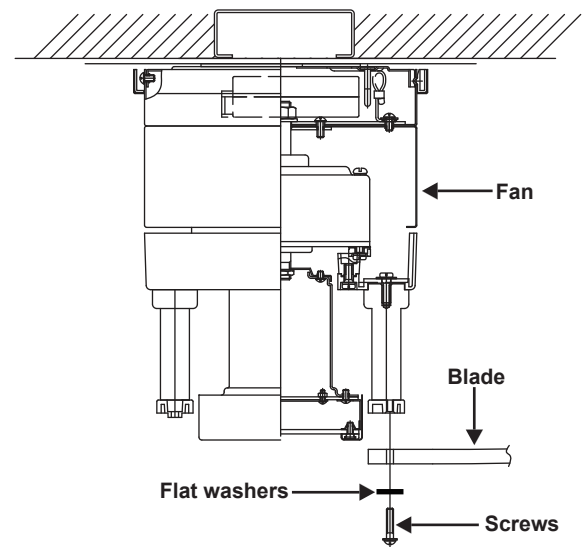


Figure 13

## 12. ATTACHING THE FAN DECORATIVE COVER

Raise decorative cover up against the fan blades and secure with the 4 Allen screws previously. (Fig. 14)

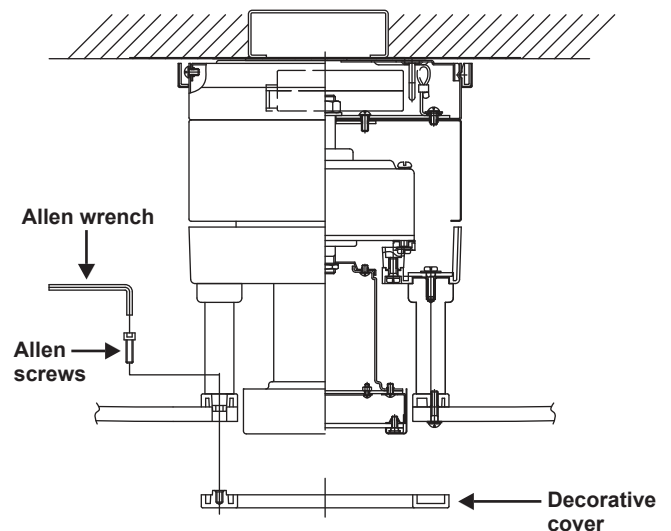


Figure 14

# 13. PROGRAMMING YOUR FAN AND OPERATING THE REMOTE CONTROL

Before programming takes place, fan must be fully assembled and mounted to the ceiling with blades attached. You must also choose which control you will be using for programming the fan, the remote or the wall control. No other wall control should be used with this fan but that which was included. Using another wall control other than ours will damage your fan and void your warranty.

## SETTING UP THE TRANSMITTER

**NOTE:** Please go through remote learning process before use.

1. Remove the battery cover by pressing firmly on the arrow and sliding the cover off.
2. Install two 1.5V AAA batteries (included). Replace the battery cover on the remote control.

## LEARNING PROCESS

**IMPORTANT:** If you have two or more fans, please follow steps below to control each fan independently. Also follow steps below to re-pair the remote and the receiver when needed.

1. Ensure AC power to the fan is OFF to begin the learning process.
2. Turn the fan's AC power ON.
3. Within 30 seconds of turning AC power on, press and release the "⏻" button five seconds to enter the learning function. The down light of your fan, if applicable, will blink twice, and the fan will automatically begin to operate and start to rotate in counterclockwise direction and on the highest RPM for 1 minutes. When counterclockwise rotation has finished, the fan will automatically reverse to clockwise direction again to the highest RPM for 1 minutes. Fan will shut off when the self-calibration test has finished. The total self-calibration test will last about 2 minutes.

The fan will now accept commands from the added remote.

4. With the power on, press and hold the "⏻" button 10-15 seconds to clear the remotes memory from your fan.

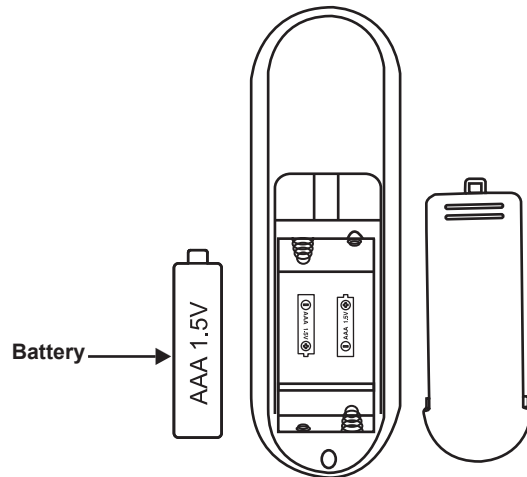


Figure 15

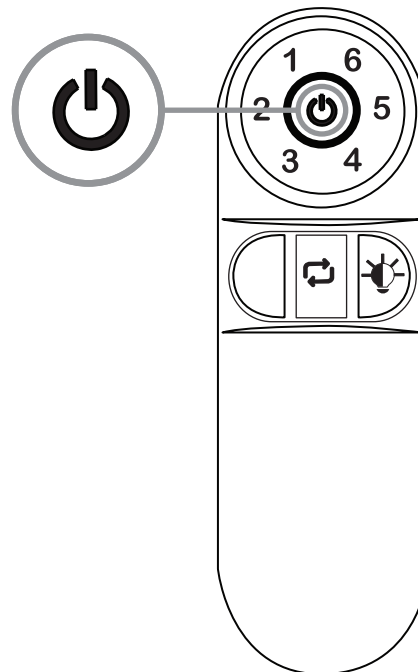


Figure 16

**NOTE:** If the self calibration test failed, turn the AC power off; restore power and process the self calibration test again.

**NOTE:** During self calibration test, the remote and the wall control are non-functional.

**NOTE:** The learning frequency function and self calibration test will continue to retain the last set frequency and calibration set even when the AC power is shut off. If the frequency is changed the self calibration test will occur again.

This receiver provides the following protective function:

1. Lock Rotor Position: The DC motor has a built-in safety against a stalled or locked rotor condition (stalled blade rotation). If there is an obstruction or fault with the motor, the current monitoring function will automatically turn power off to the motor after 30 seconds. Remove the obstruction and turn the AC power off. Restore power and re-start fan motor.

2. Over 80W protection: When the receiver detects motor power consumption which is greater than 80W, the receiver power will be stopped and operation will immediately discontinue. Wait for 5 seconds and then turn the receiver power back on.

## OPERATING YOUR FAN AND REMOTE CONTROL


A. 1, 2, 3, 4, 5 and 6 button:

These six buttons are used to set the fan speed as follows:

- 1 = minimum speed
- 2 = low speed
- 3 = medium low speed
- 4 = medium speed
- 5 = medium high speed
- 6 = high speed

B.  button:

This button turns the fan and light off.

C.  Reverse button:

This button is to control fan direction

 Light ON/OFF and Dimming

Press and release the button to turn the light on or off. Press and hold the button to activate the dimmer function.

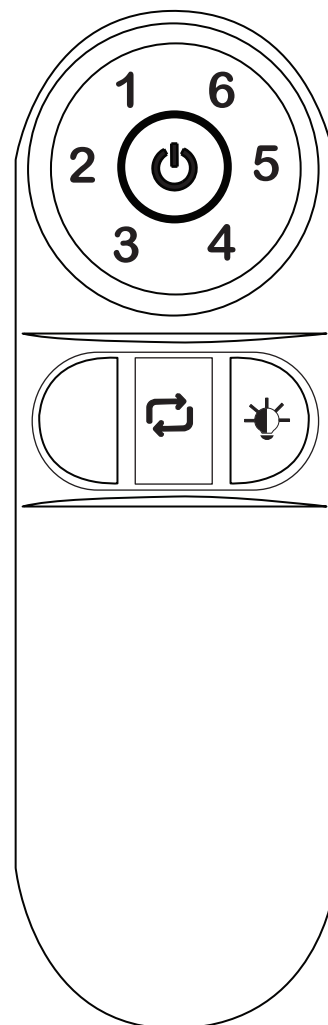


Figure 17

# 14. PROGRAMMING YOUR FAN AND OPERATING THE WALL CONTROL

## 1. INSTALLING THE WALL TRANSMITTER

a. Remove the existing wall plate and the old switch from the wall outlet box. Wire nut the BLACK leads (hot) together and push back inside the outlet box. (Fig. 18)

b. Carefully tuck the wire connections inside the outlet box. Use the screws provided to secure the wall transmitter and wall plate to the outlet box. (Fig. 19)

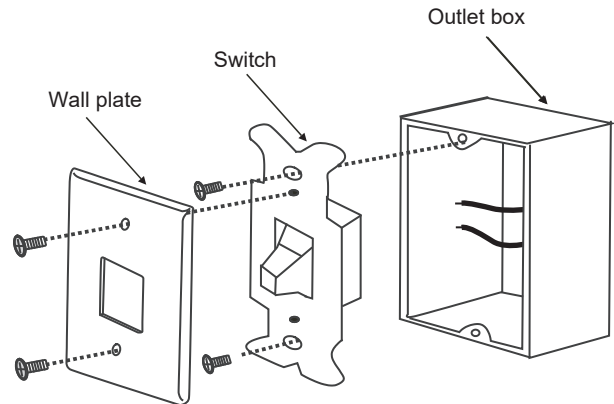


Figure 18

## 2. SETTING UP THE TRANSMITTER

Remove the panel from the transmitter and then install one 23A/12V battery (included). To prevent damage to transmitter, remove the battery if not use for long periods of time. (Fig. 20)

### LEARNING PROCESS

**IMPORTANT:** Please go through remote learning process before use. If you have two or more fans, please follow steps below to control each fan independently. Also follow steps below to re-pair the remote and the receiver when needed.

1. Ensure AC power to the fan is OFF to begin the learning process.

2. Turn the fan's AC power ON.

3. Within 30 seconds of turning AC power on, press and release the "SET" button five seconds to enter the learning function. The down light of your fan, if applicable, will blink twice, and the fan will automatically begin to operate and start to rotate in counterclockwise direction and on the highest RPM for 1 minutes. When counterclockwise rotation has finished, the fan will automatically reverse to clockwise direction again to the highest RPM for 1 minutes. Fan will shut off when the self-calibration test has finished. The total self- calibration test will last about 2 minutes. (Fig. 20)

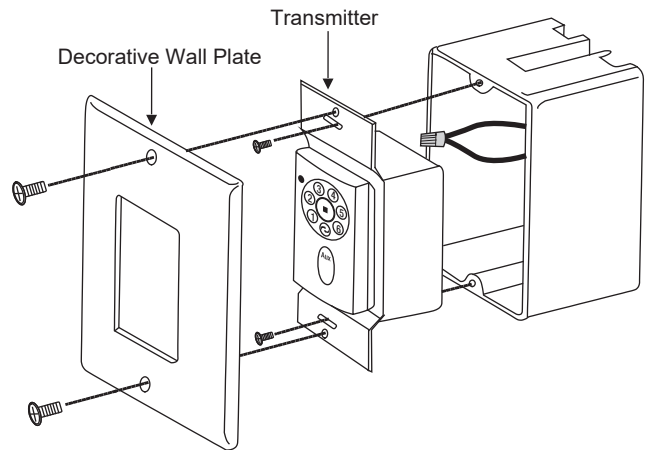


Figure 19

The fan will now accept commands from the added remote.

**NOTE:** If the self calibration test failed, turn the AC power off; restore power and process the self calibration test again.

**NOTE:** During self calibration test, the remote and the wall control are non-functional.

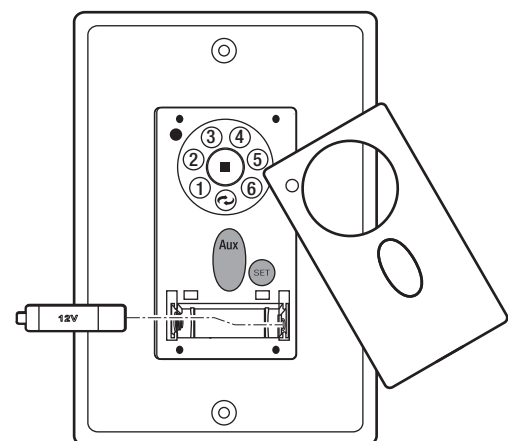


Figure 20

## OPERATING YOUR FAN AND WALL CONTROL

A. 1, 2, 3, 4, 5 and 6 button:

These six buttons are used to set the fan speed as follows:

- 1 = minimum speed
- 2 = low speed
- 3 = medium low speed
- 4 = medium speed
- 5 = medium high speed
- 6 = high speed

B. ■ button:

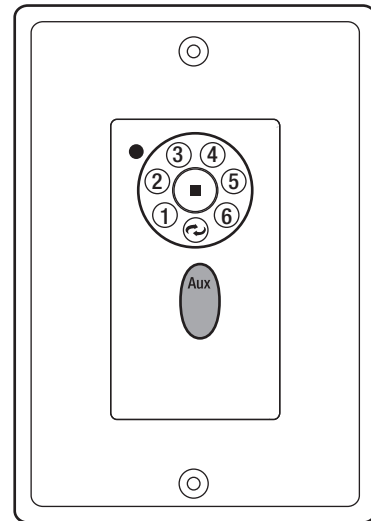
This button turns the fan off.

C. ↻ Reverse button:

This button is to control fan direction.

Aux: Light ON/OFF and Dimming

Press and release the button to turn the light on or off. Press and hold the button to activate the dimmer function.



**Figure 21**

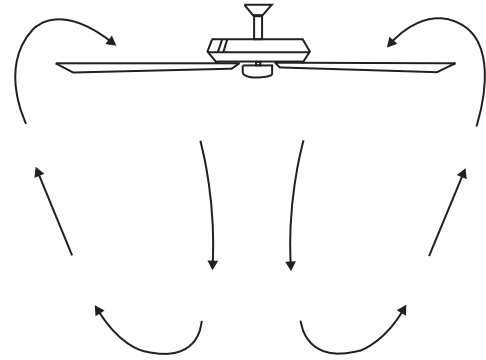
## 15. OPERATING YOUR FAN

Speed settings for warm or cool weather depend on factors such as the room size, ceiling height, number of fans and so on.

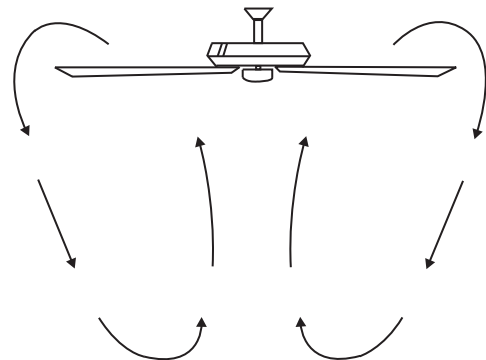
**NOTE:** To operate the reverse function on this fan, press the reverse button while the fan is running.

**Warm weather - (Forward)** A downward airflow creates a cooling effect as shown in Fig. 22. This allows you to set your air conditioner on a warmer setting without affecting your comfort.

**Cool weather - (Reverse)** An upward airflow moves warm air off the ceiling area as shown in Fig. 23. This allows you to set your heating unit on a cooler setting without affecting your comfort.



**Figure 22**



**Figure 23**

## 16. CARE OF YOUR FAN

Here are some suggestions to help you maintain your fan

1. Because of the fan's natural movement, some connections may become loose. Check the support connections, brackets, and blade attachments twice a year. Make sure they are secure. (It is not necessary to remove fan from ceiling.)
2. Clean your fan periodically to help maintain its new appearance over the years. Use only a soft brush or lint-free cloth to avoid scratching the finish. The plating is sealed with a lacquer to minimize discoloration or tarnishing. Do not use water when cleaning. This could damage the motor, or the wood, or possibly cause an electrical shock.
3. You can apply a light coat of furniture polish to the wood blades for additional protection and enhanced beauty. Cover small scratches with a light application of shoe polish.
4. There is no need to oil your fan. The motor has permanently lubricated bearings.

**IMPORTANT:** MAKE SURE THE POWER IS OFF AT THE ELECTRICAL PANEL BOX BEFORE YOU ATTEMPT ANY REPAIRS. REFER TO THE SECTION "MAKING ELECTRICAL CONNECTIONS".

## 17. TROUBLESHOOTING

Problem	Solution
Fan will not start.	<ol style="list-style-type: none"><li>1. Check circuit fuses or breakers.</li><li>2. Check line wire connections to the fan and switch wire connections in the switch housing. <b>CAUTION:</b> Make sure main power is off.</li><li>3. Check that the battery of the remote is functional.</li><li>4. Check to make sure all receiver plugs are connected at top of motor.</li><li>5. Re-do steps for programming on page 9.</li></ol>
Fan is noisy.	<ol style="list-style-type: none"><li>1. Make sure all motor housing screws are snug.</li><li>2. Make sure the screws that attach the fan blade bracket to the motor hub is tight.</li><li>3. Make sure wire nut connections are not rubbing against each other or the interior wall of the switch housing. <b>CAUTION:</b> Make sure main power is off.</li><li>4. Allow a 24-hour "breaking-in" period. Most noise associated with a new fan disappear during this time.</li><li>5. Some fan motors are sensitive to signals from solid-state variable speed controls. If you have installed this type of control, choose and install another type of control.</li><li>6. Make sure the upper canopy is a short distance from the ceiling. It should not touch the ceiling.</li></ol>
Remote control malfunction.	<ol style="list-style-type: none"><li>1. Do not connect the fan to a wall mounted variable speed control. Use our proprietary provided wall control.</li><li>2. Make sure the dip switches are set correctly.</li></ol>
Fan wobble.	<ol style="list-style-type: none"><li>1. Check that all blade and blade arm screws are secure.</li><li>2. Most fan wobbling problems are caused when blade levels are unequal. Check this level by selecting a point on the ceiling above the tip of one of the blades. Measure this distance. Rotate the fan until the next blade is positioned for measurement. Repeat for each blade. The distance deviation should be equal within 1/8".</li><li>3. If the blade wobble is still noticeable, interchanging two adjacent (side by side) blades can redistribute the weight and possibly result in smoother operation.</li></ol> <p><b>WARNING:</b> TO REDUCE THE RISK OF PERSONAL INJURY, DO NOT BEND THE BLADE ARM WHILE INSTALLING, BALANCING THE BLADES, OR CLEANING THE FAN. DO NOT INSERT FOREIGN OBJECTS BETWEEN ROTATING FAN BLADES.</p>
Fan has jerky movement	<ol style="list-style-type: none"><li>1. Turn the AC power off to fan, and re-do steps for programming on page 10.</li><li>2. If fan still has jerky movement, verify that both motor wire plugs are properly connected.</li></ol>
Fan has lost its programming repeatedly	<ol style="list-style-type: none"><li>1. Turn the AC power off to fan, and re-do steps for programming on page 10.</li><li>2. Do not turn off fan from wall switch. Use only remote to regulate fan.</li></ol>



# **LIMITED LIFETIME WARRANTY**

**MATTHEWS-GERBAR, LTD. DBA MATTHEWS FAN COMPANY LIFETIME LIMITED WARRANTY.** warranted by Matthews-Gerbar, Ltd. to the original user against defects in workmanship or materials under normal use and inside or outside damp location installation for: Motors: Lifetime of original purchaser: Labor & Component parts: (lights, finish, blades, etc...): one year after date of purchase, Light Bulbs: no warranty. Any part, which is determined by Matthews-Gerbar, Ltd. to be defective in material or workmanship and returned to an authorized service location, as Matthews-Gerbar, Ltd. designates, shipping costs prepaid, will be, as the exclusive remedy, repaired or replaced at Matthews-Gerbar Ltd.'s option providing that proof of purchase is provided. For limited warranty claim procedures, see PROMPT DISPOSITION below. This limited warranty gives purchasers specific legal rights, which may vary from state to state.

**LIMITATION OF LIABILITY.** To the extent allowable under law, Matthews-Gerbar, Ltd.'s liability for consequential and incidental damages is expressly disclaimed. Matthews-Gerbar, Ltd.'s liability in all events is limited to, and shall not exceed, the purchase price paid.

**WARRANTY DISCLAIMER.** Matthews-Gerbar, Ltd. has made a diligent effort to illustrate and describe the products in this literature accurately: however, such illustrations and descriptions are for the sole purpose of identification, and do not express or imply that the products will necessarily conform to the illustrations or descriptions. **Furthermore, there is no express warranty derived from any viewed sample or model. Matthews-Gerbar, Ltd. disclaims any expressed warranty and implied warranty of merchantability and fitness for a particular use.**

Except as provided below, no warranty or affirmation of fact, expressed or implied, other than as stated in "Limited Lifetime Warranty" above is made or authorized by Matthews-Gerbar, Ltd.

**PRODUCT SUITABILITY.** Many states and localities have codes and regulations governing sales, construction, installation and/or use of products for certain purposes, which may vary from those in neighboring areas. While Matthews-Gerbar, Ltd. attempts to assure that its products comply with such codes, it cannot guarantee compliance and cannot be responsible for how the product is installed or used. Before purchase and use of a product, please review the product application and national and local codes and regulations, and be sure that the product, installation, and use will comply with them. **Matthews-Gerbar, Ltd. disclaims any expressed warranty and implied warranty of merchantability and fitness for a particular use if any modifications are made to the original manufacturer's product.**

Certain aspects of disclaimers are not applicable to consumer products: e.g. (a) some states do not allow the exclusion or limitation of incidental or consequential damages, so the above limitation or exclusion may not apply to you: (b) also, some states do not allow limitations on how long an implied warranty lasts, consequently the above limitation may not apply to you.

**OTHER EXCLUSIONS.** This warranty does not cover defects caused by: exposure to extremes of heat and humidity, neglect, modification, alteration, repair or service of the enclosed product by anyone other than an authorized Matthews-Gerbar, Ltd. service center; physical abuse to, or misuse of, the product or operation of it in a manner contrary to the accompanying instructions; or shipment of the product to a Matthews-Gerbar, Ltd. dealer or service center for service. This warranty also excludes all costs arising from adjustment of user controls, products purchased outside of the U.S.A., and costs for initial technical adjustments (set-up). Matthews-Gerbar assumes no liability for labor costs, installation costs or other losses. Consult the operating instructions included with the product for information regarding user controls.

**PROMPT DISPOSITION.** Matthews-Gerbar, Ltd. will make a good faith effort for prompt correction respect to any product, which proves to be defective within limited lifetime warranty. For any product believed to be defective within limited lifetime warranty, first call or write dealer from whom the product was purchased. Dealer will give additional directions. If unable to resolve satisfactorily, call Matthews-Gerbar, Ltd. at the phone number below, giving the dealer's name, address, date and number of dealer's invoice, and describe the nature of the defect.

**MATTHEWS-GERBAR, LTD**  
**1881 INDUSTRIAL DRIVE – LIBERTYVILLE, IL 60048**  
**TEL: 847-680-9043 FAX: 847-680-9043 WWW.MATTHEWSFANCO.COM**