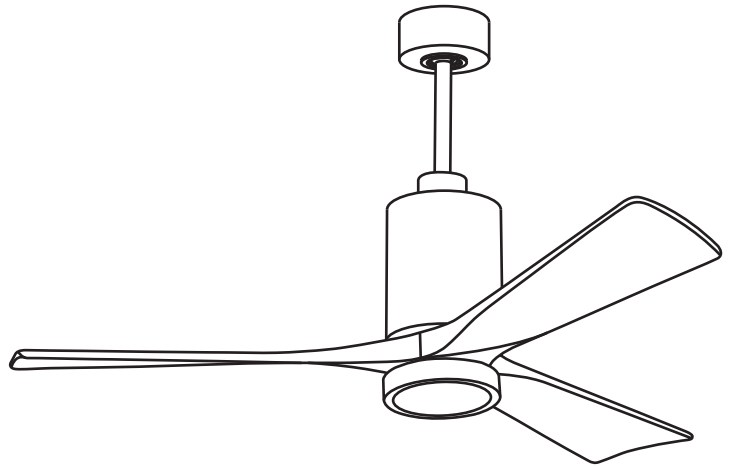




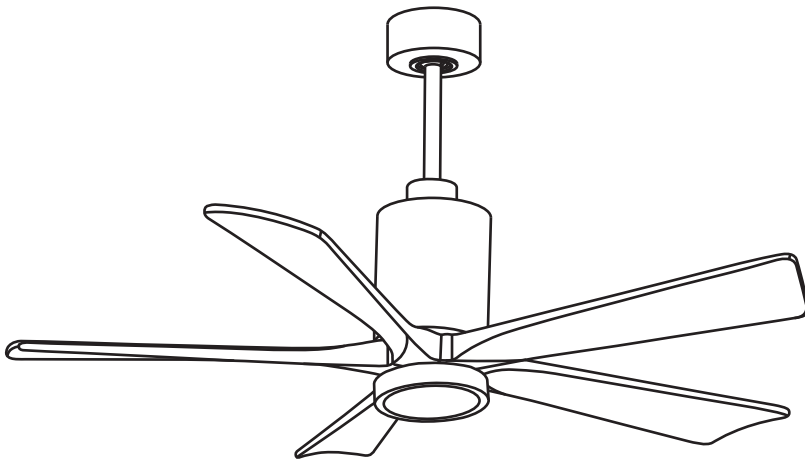
Patricia

60", 52" or 42"
CEILING FAN

READ AND SAVE THESE INSTRUCTIONS



Patricia-3



Patricia-5



FAN RATING AC 120V. 60Hz For Damp Location

QUICK ASSEMBLY NOTES:

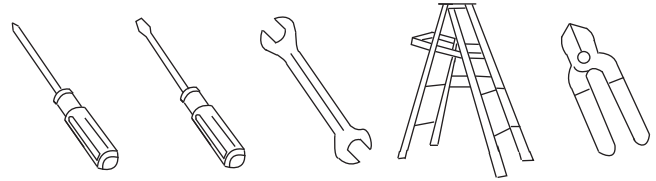
- * Do not wire in fan while house wires are Live. Turn power off at breaker before installation begins.
- * Do not use any controls, wall or remote, other than those provided by Matthews Fan Company.
- * Please do not use any electric or battery powered tools in the assembly and installation of this or any other Matthews Fan Company product.
- * Fan should be assembled and mounted by two people.

TABLE OF CONTENTS

Tools and Materials Required.....	1
Package Contents	1
Safety Rules.....	2
Mounting Options.....	3
Hanging the Fan	4
Make the Electric Connections.....	5
Finishing the Installation.....	6
Attaching the Fan Blades.....	7
Attaching the Mounting Plate.....	8
Installing the Light Kit.....	8
Programming Your Fan and Operating the Remote Control.....	9
Programming Your Fan and Operating the Wall Control.....	11
Operating Your Fan.....	13
Care of Your Fan.....	13
Troubleshooting.....	14
Limited Lifetime Warranty	15

1. TOOLS AND MATERIALS REQUIRED

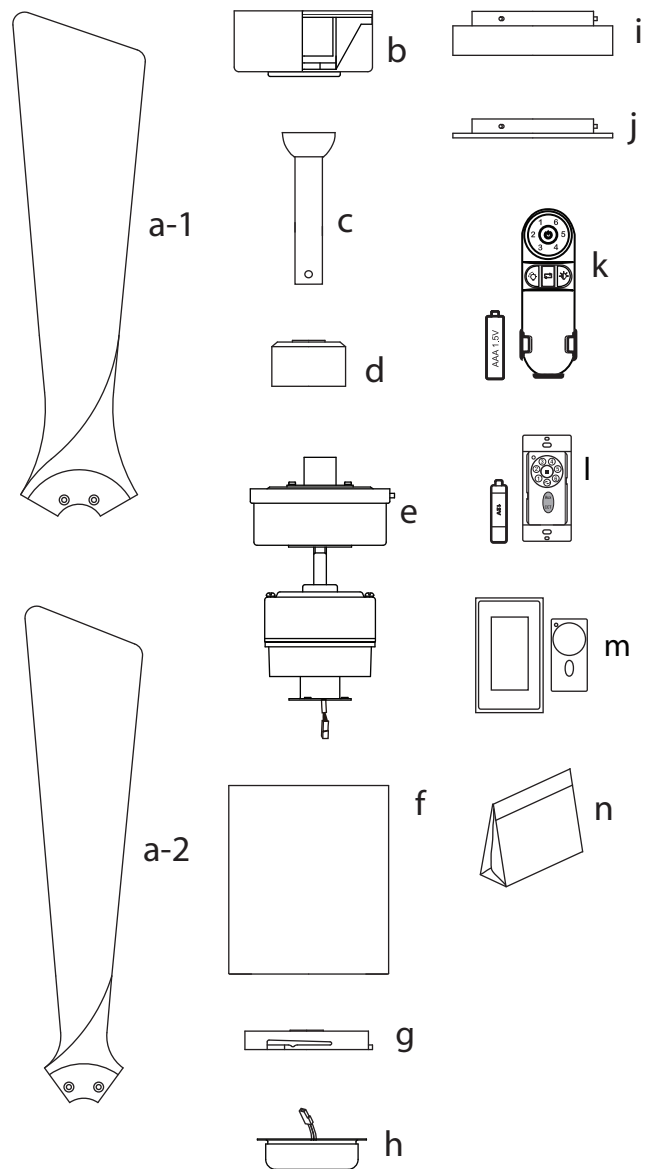
- Philips screwdriver
- Blade screwdriver
- 11 mm wrench
- Step ladder
- Wire cutters



2. PACKAGE CONTENTS

Unpack your fan and check the contents. You should have the following items:

- a-1. Blade set (3) (for PA3-CR)
- a-2. Blade set (5) (for PA5-CR)
- b. Hanger bracket assembly
- c. Ball / down rod assembly
- d. Coupling cover
- e. Fan motor assembly
- f. Fan housing
- g. Mounting plate
- h. 20W LED light kit
- i. Glass shade assembly
- j. Additional metal light cover
- k. Hand held transmitter+holder+2 mounting screws+2 AAA batteries
- l. Wall transmitter incl. 2 mounting screws and 3 wire nuts+a 12V battery
- m. Wall plate incl. 1 face plate and 2 mounting screws
- n. Package hardware
 - 1) Mounting hardware: wood screws (2), screws (2), lock washers (2), washers (2), star washers (2), wire nuts (3)
 - 2) Blade attachment hardware: screws (11), lock washers (11), flat washers (11)



Please do not use any electric or battery powered tools in the assembly and installation of this or any Matthews Fan Company product.

3. SAFETY RULES

1. To reduce the risk of electric shock, insure electricity has been turned off at the circuit breaker or fuse box before beginning.
2. All wiring must be in accordance with the National Electrical Code and local electrical codes. Electrical installation should be performed by a qualified licensed electrician.
3. **WARNING:** To reduce the risk of electrical shock and fire, do not use this fan with any solid-state fan speed control device.
4. **WARNING:** To Reduce The Risk Of Fire, Electric Shock, Or Personal Injury, Mount To Outlet Box Marked Acceptable for Fan Support of 15.9 kg (35 lbs) or less And Use Mounting Screws Provided With The Outlet Box. Most outlet boxes commonly used for the support of lighting fixtures are not acceptable for fan support and may need to be replaced, consult a qualified electrician if in doubt.
5. The fan must be mounted with a minimum of 7 feet clearance from the trailing edge of the blades to the floor.
6. To operate the reverse function on this fan, press the reverse button while the fan is running.
7. Avoid placing objects in the path of the blades.
8. To avoid personal injury or damage to the fan and other items, be cautious when working around or cleaning the fan.
9. Do not use water or detergents when cleaning the fan or fan blades. A dry dust cloth or lightly dampened cloth will be suitable for most cleaning.
10. After marking electrical connections, spliced conductors should be turned upward and pushed carefully up into outlet box. The wires should be spread apart with the grounded conductor and the equipment -grounding conductor on one side of the outlet box.
11. Electrical diagrams are reference only. Light kit that are not packed with the fan must be UL Listed and marked suitable for use with the model fan you are installing. Switches must be CUL General Use Switches. Refer to the Instructions packaged with the light kits and switches for proper assembly.

WARNING
TO REDUCE THE RISK OF PERSONAL INJURY, DO NOT BEND THE BLADE BRACKETS (ALSO REFERRED TO AS FLANGES) DURING ASSEMBLY OR AFTER INSTALLATION. DO NOT INSERT OBJECTS IN THE PATH OF THE BLADES.

4. MOUNTING OPTIONS

If there isn't an existing UL listed mounting box, then read the following instructions. Disconnect the power by removing fuses or turning off circuit breakers.

Secure the outlet box directly to the building structure. Use appropriate fasteners and building materials. The outlet box and its support must be able to fully support the moving weight of the fan 15.9 kgs (35lbs) or less. Do not use plastic outlet boxes.

Figures 1,2 and 3 are examples of different ways to mount the outlet box.

Note: The Fig. 3 are for use for downrod style only.

Note: You may need a longer downrod to maintain proper blade clearance when installing on a steep, sloped ceiling. (Fig. 3)

To hang your fan where there is an existing fixture but no ceiling joist, you may need an installation hanger bar as shown in Figure 4.

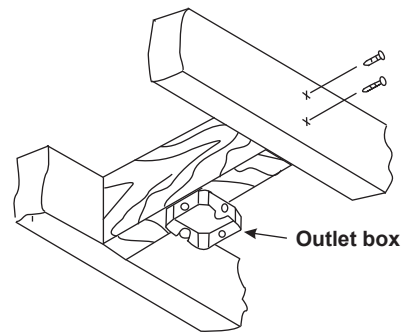


Figure 1

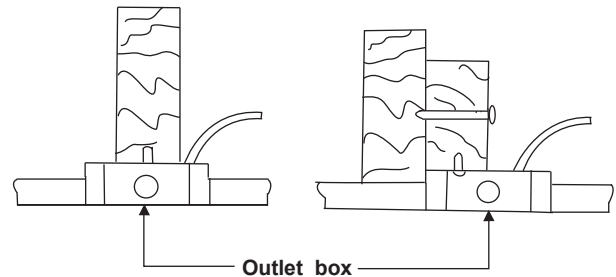


Figure 2

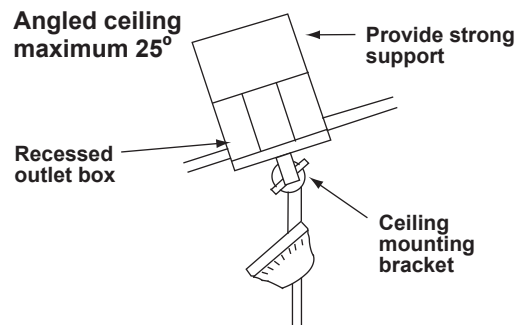


Figure 3

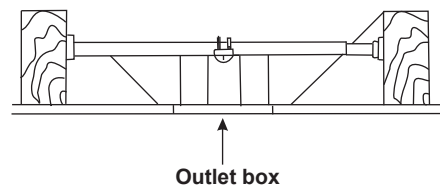


Figure 4

5. HANGING THE FAN

REMEMBER to turn off the power. Follow the steps below to hang your fan properly.

1. Remove the decorative canopy bottom cover from the canopy by turning the cover counter clockwise. (Fig. 5)
2. Remove the hanger bracket from the canopy by removing the 1 of 2 screws from the bottom of the hanger bracket and loosening the other one a half turn from the screw head. Next, turn the canopy counter clockwise to removing the hanger bracket from the canopy. (Fig. 5)
3. Secure the hanger bracket to the ceiling outlet box using screws and washers included with your outlet box. (Fig. 6)
4. Loosen the two set screws and remove the hitch pin and lock pin from the central shaft/top coupling of the motor assembly. Doing so will allow the down rod to enter the central shaft. (Fig. 7)
5. Route wires exiting from the top of the fan motor through the coupling cover, canopy cover and canopy and then through the ball/downrod. (Fig. 7)
6. Align the holes at the bottom of the downrod with the holes in the collar on top of the motor housing. Carefully insert the hitch pin through the holes in the collar and downrod. Be careful not to jam the pin against the wiring inside the downrod. Insert the lock pin through the hole near the end of the hitch pin until it snaps into its locked position. (Fig. 7)

Warning/Caution: Failure to properly install lock pin as noted in step 6 could result in fan loosening and possibly falling.

7. Tighten two set screws on top of the fan motor firmly.
8. Now lift the motor assembly into position and place the hanger ball into the hanger bracket. Rotate down rod until the "Check Tab" has dropped into the "Registration Slot" and the down rod and ball assembly seat firmly. The down rod and ball assembly should not rotate if this is done correctly. (Fig. 8)
9. An additional safety support is provided to prevent the fan from falling. Secure the safety cable to the ceiling joist with screw and washer. (Fig. 8)

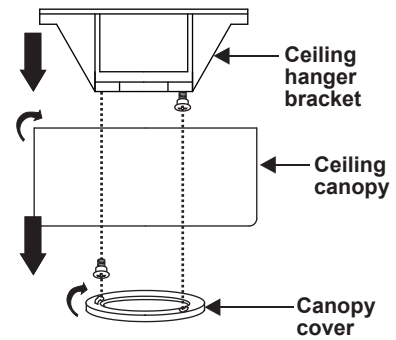


Figure 5

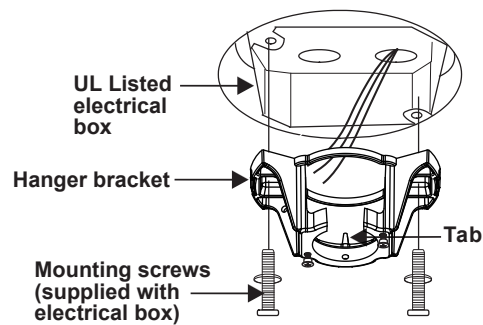


Figure 6

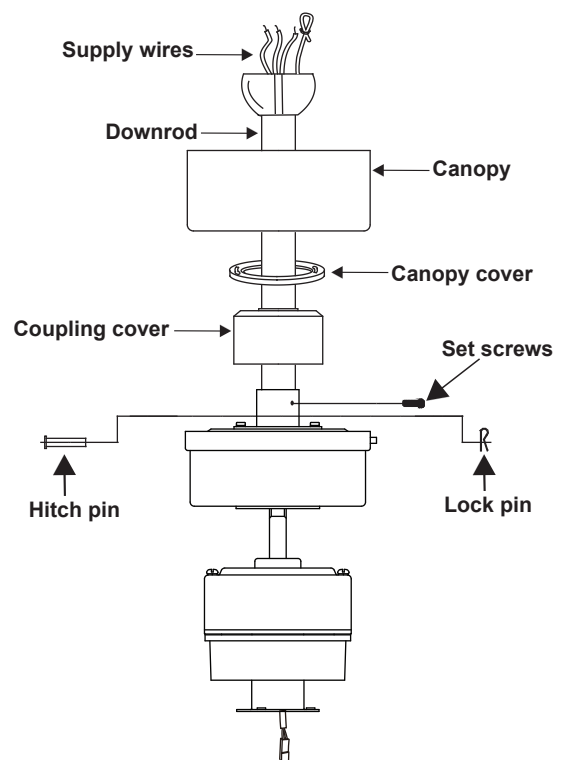


Figure 7

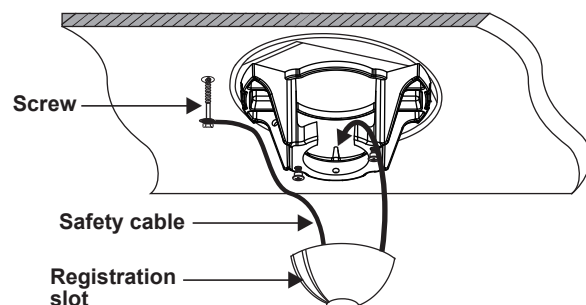


Figure 8

7. FINISHING THE INSTALLATION

1. Tuck connections neatly into ceiling outlet box.
2. Slide the canopy up to hanger bracket and place the key hole on the canopy over the screw on the hanger bracket, turn canopy until it locks in place at the narrow section of the key holes. (Fig. 10)
3. Align the circular hole on canopy with the remaining hole on the hanger bracket, secure by tightening the two set screws. Note: Adjust the canopy screws as necessary until the canopy and canopy cover are snug.

WARNING: Make sure tab at bottom of hanger bracket is properly seated in groove of hanger ball before attaching canopy to bracket. Failure to properly seat tab in groove could cause damage to electrical wiring.

INSTALLING THE FAN HOUSING

Raise the fan housing up against the mounting plate. The four supports inside the fan housing should be placed against the four studs on the mounting plate. Twist the fan housing clockwise until snug. (Fig. 11)

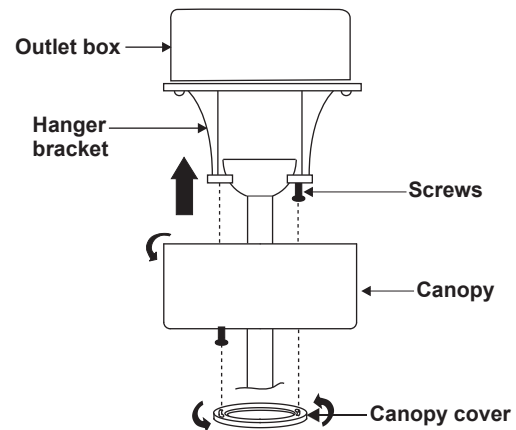


Figure 10

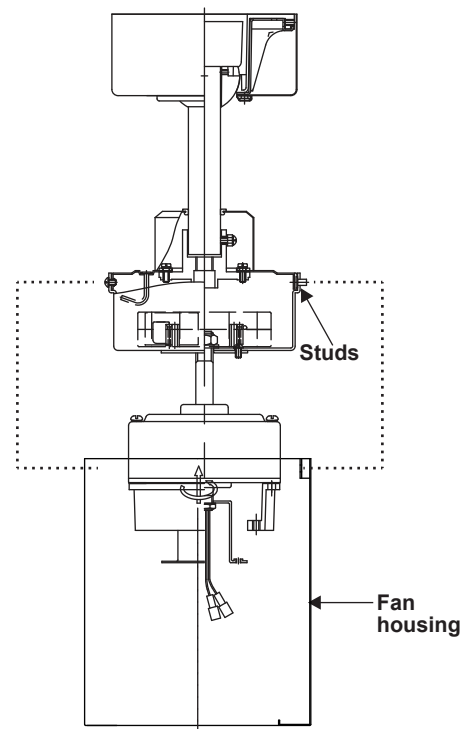


Figure 11

8. ATTACHING THE FAN BLADES

1. Fasten blade to motor using the flat washers, lock washers and screws supplied. (Fig. 12)
2. Repeat process with other blades. Tighten each screw and make sure the blade is straight.

NOTE: This fan is supplied with two types of blades for installation. Please reference the important diagram (Fig. 13) when attaching your fan blades.

The inner holes are for 3 blades. (for PA3)

The outer holes are for 5 blades. (for PA5)

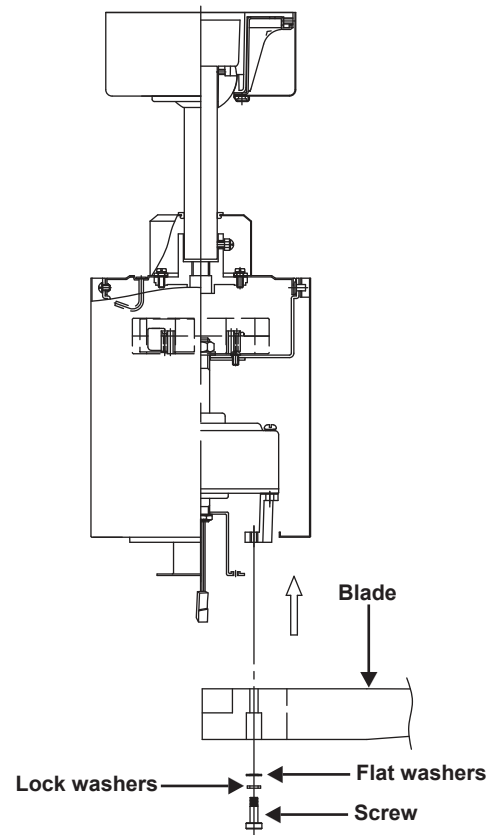


Figure 12

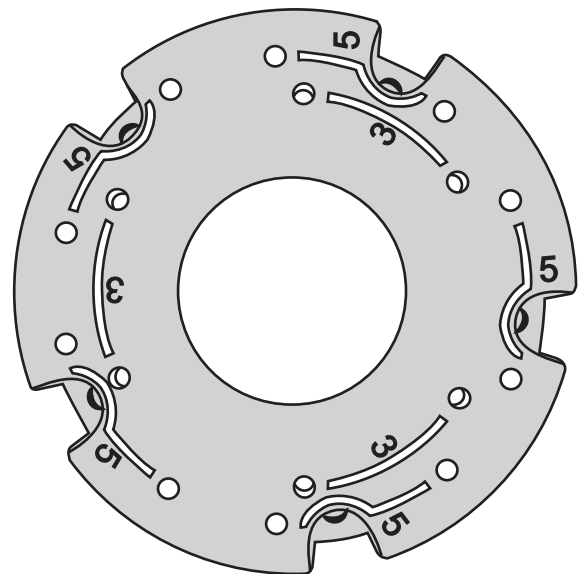


Figure 13

9. ATTACHING THE MOUNTING PLATE

Step 1. Remove 1 of the 3 screws from the mounting ring and keep it for future use. Loosen the other 2 screws. (Do not remove)

Step 2. Place the key holes on the mounting plate over the 2 screws previously loosened from the mounting ring, turn mounting plate until it locks in place at the narrow section of the key holes. Secure by tightening the 2 screws previously loosened and the one previously removed. (Fig. 14)

10. INSTALLING THE LIGHT KIT

REMEMBER: To disconnect the power.

If you do not plan to install the light kit with your fan at this time, skip step 1, 2, 3 & 4.

1. Remove 1 of the 3 screws from the mounting plate and loosen the other 2 screws. (Do not remove)

2. Raise and hold the LED light kit close to the mounting plate and proceed to do the wire connections. Make the 2-pin wire connections: (Fig. 15)

- Red to white - Black to black

3. Place the key holes from the light kit over the 2 screws previously loosened from the mounting plate, turn the light kit until it locks in place at the narrow section of the key holes. Secure by tightening the 2 screws previously loosened and the one previously removed. (Fig. 15)

4. Raise the glass shade assembly up against the mounting plate. The three slots inside the mounting plate should be placed against the three studs on the glass shade assembly, and secure it to the mounting plate until snug.

5. If installing the optional metal light cover, make sure is securely tighten.

NOTE: The metal light cover included with your fan is an option to replace the glass for the light in the event that you prefer not to use the light feature of your fan. The metal light cover is not necessary for the light operation; it can be saved for later use if desired.

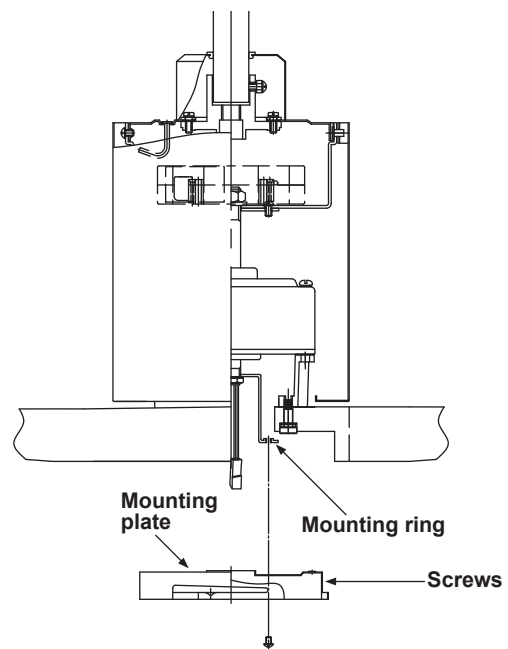


Figure 14

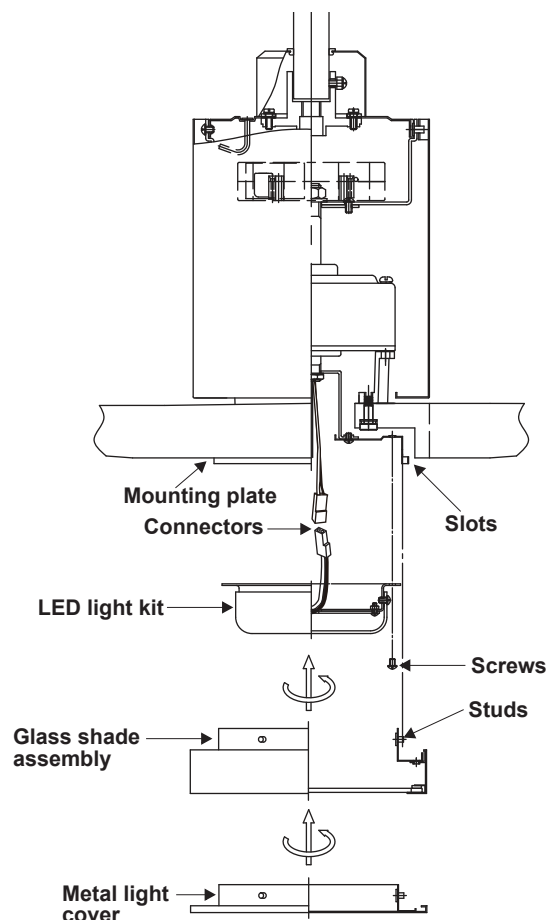


Figure 15

11. PROGRAMMING YOUR FAN AND OPERATING THE REMOTE CONTROL

Before programming takes place, fan must be fully assembled and mounted to the ceiling with blades attached. You must also choose which control you will be using for programming the fan, the remote or the wall control. No other wall control should be used with this fan but that which was included. Using another wall control other than ours will damage your fan and void your warranty.

SETTING UP THE TRANSMITTER

NOTE: Please go through remote learning process before use.

1. Remove the battery cover by pressing firmly on the arrow and sliding the cover off.
2. Install two 1.5V AAA batteries (included).
Replace the battery cover on the remote control.

LEARNING PROCESS

IMPORTANT: If you have two or more fans, please follow steps below to control each fan independently. Also follow steps below to re-pair the remote and the receiver when needed.

1. Ensure AC power to the fan is OFF to begin the learning process.
2. Turn the fan's AC power ON.

3. Within 30 seconds of turning AC power on, press and release the "⏻" button five seconds to enter the learning function. The down light of your fan, if applicable, will blink twice, and the fan will automatically begin to operate and start to rotate in counterclockwise direction and on the highest RPM for 1 minutes. When counterclockwise rotation has finished, the fan will automatically reverse to clockwise direction again to the highest RPM for 1 minutes. Fan will shut off when the self-calibration test has finished. The total self-calibration test will last about 2 minutes.

The fan will now accept commands from the added remote.

4. With the power on, press and hold the "⏻" button 10-15 seconds to clear the remotes memory from your fan.

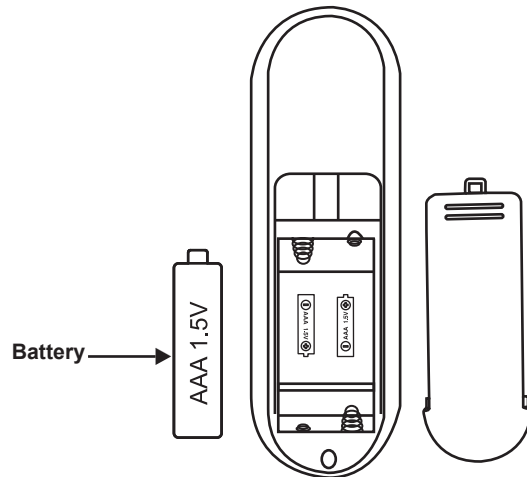


Figure 16

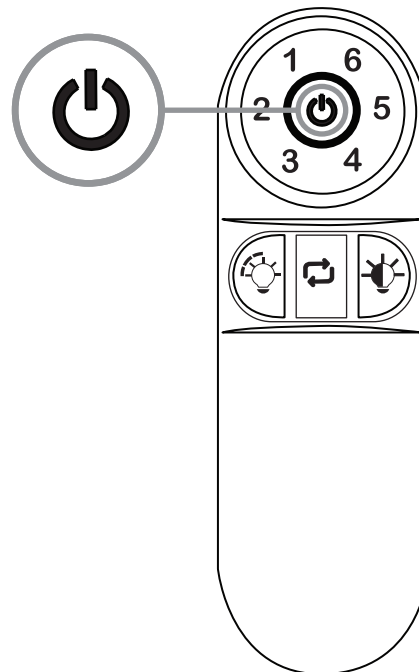


Figure 17

NOTE: If the self calibration test failed, turn the AC power off; restore power and process the self calibration test again.

NOTE: During self calibration test, the remote and the wall control are non-functional.

NOTE: The learning frequency function and self calibration test will continue to retain the last set frequency and calibration set even when the AC power is shut off. If the frequency is changed the self calibration test will occur again.

This receiver provides the following protective function:

1. Lock Rotor Position: The DC motor has a built-in safety against a stalled or locked rotor condition (stalled blade rotation). If there is an obstruction or fault with the motor, the current monitoring function will automatically turn power off to the motor after 30 seconds. Remove the obstruction and turn the AC power off. Restore power and re-start fan motor.

2. Over 80W protection: When the receiver detects motor power consumption which is greater than 80W, the receiver power will be stopped and operation will immediately discontinue. Wait for 5 seconds and then turn the receiver power back on.

OPERATING YOUR FAN AND REMOTE CONTROL

A. 1, 2, 3, 4, 5 and 6 button:

These six buttons are used to set the fan speed as follows:

- 1 = minimum speed
- 2 = low speed
- 3 = medium low speed
- 4 = medium speed
- 5 = medium high speed
- 6 = high speed

B.  button:

This button turns the fan and light off.

C.  Reverse button:

This button is to control fan direction



Light color temperature

Press and release the button to cycle through the five color temperature options.

Option 1: 2700K (Warm White)

Option 2: 3000K (Soft White).

Option 3: 4000K (Neutral White)

Option 4: 5000K (Bright White).

Option 5: 6500K (Daylight).



Light ON/OFF and Dimming

Press and release the button to turn the light on or off. Press and hold the button to activate the dimmer function.

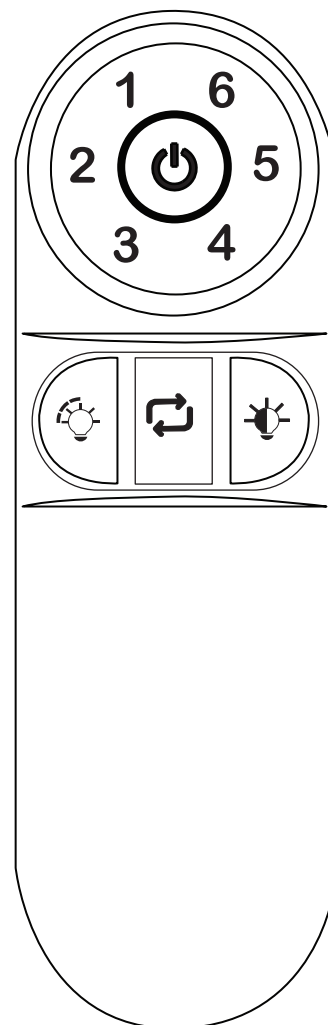


Figure 18

12. PROGRAMMING YOUR FAN AND OPERATING THE WALL CONTROL

1. INSTALLING THE WALL TRANSMITTER

a. Remove the existing wall plate and the old switch from the wall outlet box. Wire nut the BLACK leads (hot) together and push back inside the outlet box. (Fig. 19)

b. Carefully tuck the wire connections inside the outlet box. Use the screws provided to secure the wall transmitter and wall plate to the outlet box. (Fig. 20)

2. SETTING UP THE TRANSMITTER

Remove the panel from the transmitter and then install one 23A/12V battery (included). To prevent damage to transmitter, remove the battery if not use for long periods of time. (Fig. 21)

LEARNING PROCESS

IMPORTANT: Please go through remote learning process before use. If you have two or more fans, please follow steps below to control each fan independently. Also follow steps below to re-pair the remote and the receiver when needed.

1. Ensure AC power to the fan is OFF to begin the learning process.

2. Turn the fan's AC power ON.

3. Within 30 seconds of turning AC power on, press and release the "SET" button five seconds to enter the learning function. The down light of your fan, if applicable, will blink twice, and the fan will automatically begin to operate and start to rotate in counterclockwise direction and on the highest RPM for 1 minutes. When counterclockwise rotation has finished, the fan will automatically reverse to clockwise direction again to the highest RPM for 1 minutes. Fan will shut off when the self-calibration test has finished. The total self-calibration test will last about 2 minutes. (Fig. 21)

The fan will now accept commands from the added remote.

NOTE: If the self calibration test failed, turn the AC power off; restore power and process the self calibration test again.

NOTE: During self calibration test, the remote and the wall control are non-functional.

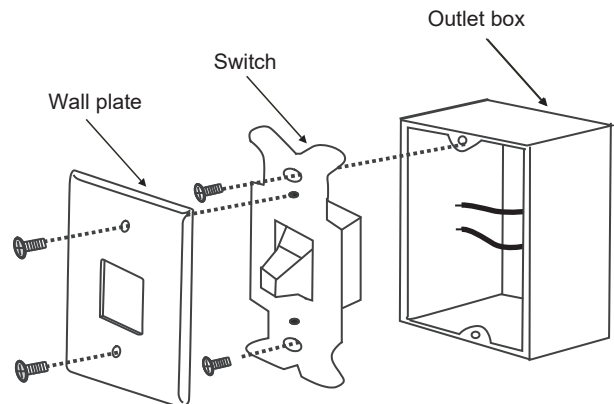


Figure 19

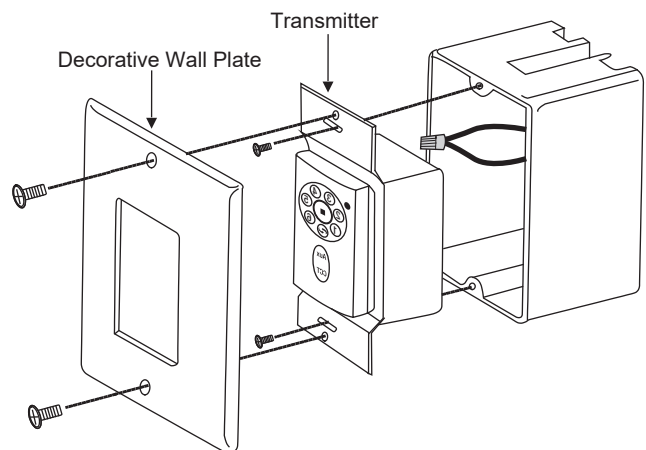


Figure 20

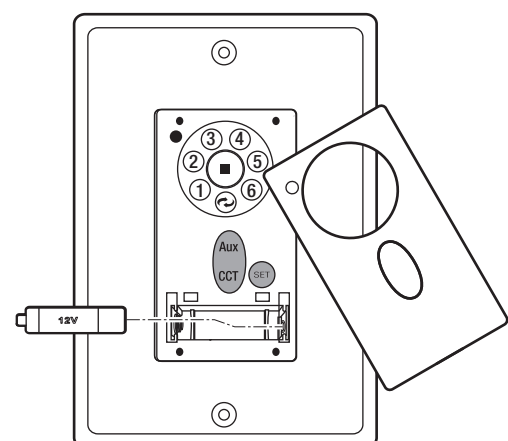


Figure 21

OPERATING YOUR FAN AND WALL CONTROL

A. 1, 2, 3, 4, 5 and 6 button:

These six buttons are used to set the fan speed as follows:

- 1 = minimum speed
- 2 = low speed
- 3 = medium low speed
- 4 = medium speed
- 5 = medium high speed
- 6 = high speed

B. ■ button:

This button turns the fan off.

C. ↻ Reverse button:

This button is to control fan direction.

Aux: Light ON/OFF and Dimming

Press and release the button to turn the light on or off. Press and hold the button to activate the dimmer function.

CCT: Light color temperature

Press and release the button to cycle through the five color temperature options.

- Option 1: 2700K (Warm White)
- Option 2: 3000K (Soft White).
- Option 3: 4000K (Neutral White)
- Option 4: 5000K (Bright White).
- Option 5: 6500K (Daylight).

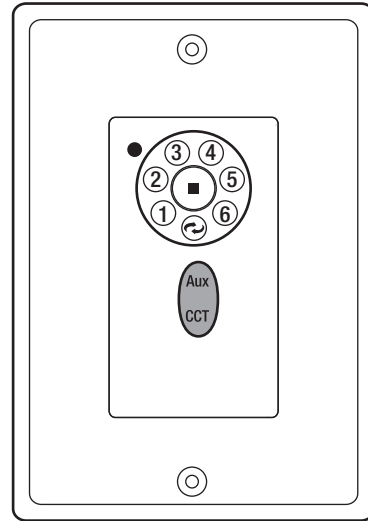


Figure 22

13. OPERATING YOUR FAN

Speed settings for warm or cool weather depend on factors such as the room size, ceiling height, number of fans and so on.

NOTE: To operate the reverse function on this fan, press the reverse button while the fan is running.

Warm weather - (Forward) A downward airflow creates a cooling effect as shown in Fig. 23. This allows you to set your air conditioner on a warmer setting without affecting your comfort.

Cool weather - (Reverse) An upward airflow moves warm air off the ceiling area as shown in Fig. 24. This allows you to set your heating unit on a cooler setting without affecting your comfort.

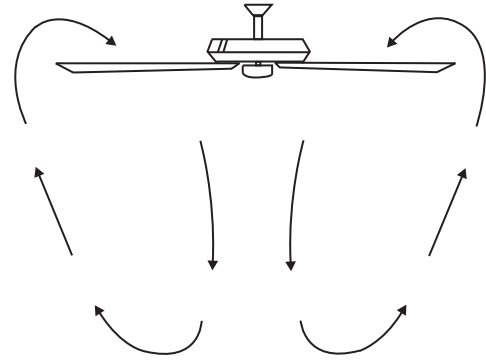


Figure 23

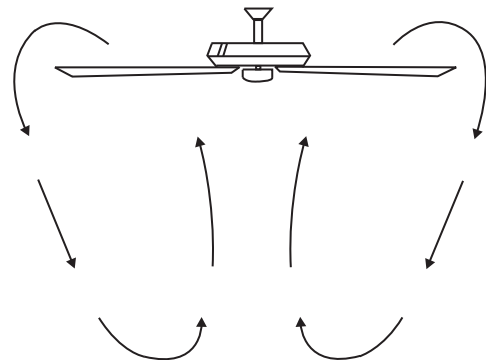


Figure 24

14. CARE OF YOUR FAN

Here are some suggestions to help you maintain your fan

1. Because of the fan's natural movement, some connections may become loose. Check the support connections, brackets, and blade attachments twice a year. Make sure they are secure. (It is not necessary to remove fan from ceiling.)
2. Clean your fan periodically to help maintain its new appearance over the years. Use only a soft brush or lint-free cloth to avoid scratching the finish. The plating is sealed with a lacquer to minimize discoloration or tarnishing. Do not use water when cleaning. This could damage the motor, or the wood, or possibly cause an electrical shock.
3. You can apply a light coat of furniture polish to the wood blades for additional protection and enhanced beauty. Cover small scratches with a light application of shoe polish.
4. There is no need to oil your fan. The motor has permanently lubricated bearings.

IMPORTANT: MAKE SURE THE POWER IS OFF AT THE ELECTRICAL PANEL BOX BEFORE YOU ATTEMPT ANY REPAIRS. REFER TO THE SECTION "MAKING ELECTRICAL CONNECTIONS".

15. TROUBLESHOOTING

Problem	Solution
Fan will not start.	<ol style="list-style-type: none">1. Check circuit fuses or breakers.2. Check line wire connections to the fan and switch wire connections in the switch housing. CAUTION: Make sure main power is off.3. Check that the battery of the remote is functional.4. Check to make sure all receiver plugs are connected at top of motor.5. Re-do steps for programming on page 9.
Fan is noisy.	<ol style="list-style-type: none">1. Make sure all motor housing screws are snug.2. Make sure the screws that attach the fan blade bracket to the motor hub is tight.3. Make sure wire nut connections are not rubbing against each other or the interior wall of the switch housing. CAUTION: Make sure main power is off.4. Allow a 24-hour "breaking-in" period. Most noise associated with a new fan disappear during this time.5. Some fan motors are sensitive to signals from solid-state variable speed controls. If you have installed this type of control, choose and install another type of control.6. Make sure the upper canopy is a short distance from the ceiling. It should not touch the ceiling.
Remote control malfunction.	<ol style="list-style-type: none">1. Do not connect the fan to a wall mounted variable speed control. Use our proprietary provided wall control.2. Make sure the dip switches are set correctly.
Fan wobble.	<ol style="list-style-type: none">1. Check that all blade and blade arm screws are secure.2. Most fan wobbling problems are caused when blade levels are unequal. Check this level by selecting a point on the ceiling above the tip of one of the blades. Measure this distance. Rotate the fan until the next blade is positioned for measurement. Repeat for each blade. The distance deviation should be equal within 1/8".3. If the blade wobble is still noticeable, interchanging two adjacent (side by side) blades can redistribute the weight and possibly result in smoother operation. <p>WARNING: TO REDUCE THE RISK OF PERSONAL INJURY, DO NOT BEND THE BLADE ARM WHILE INSTALLING, BALANCING THE BLADES, OR CLEANING THE FAN. DO NOT INSERT FOREIGN OBJECTS BETWEEN ROTATING FAN BLADES.</p>
Fan has jerky movement	<ol style="list-style-type: none">1. Turn the AC power off to fan, and re-do steps for programming on page 10.2. If fan still has jerky movement, verify that both motor wire plugs are properly connected.
Fan has lost its programming repeatedly	<ol style="list-style-type: none">1. Turn the AC power off to fan, and re-do steps for programming on page 10.2. Do not turn off fan from wall switch. Use only remote to regulate fan.

LIMITED LIFETIME WARRANTY

MATTHEWS-GERBAR, LTD. DBA MATTHEWS FAN COMPANY LIFETIME LIMITED WARRANTY. warranted by Matthews-Gerbar, Ltd. to the original user against defects in workmanship or materials under normal use and inside or outside damp location installation for: Motors: Lifetime of original purchaser: Labor & Component parts: (lights, finish, blades, etc...): one year after date of purchase, Light Bulbs: no warranty. Any part, which is determined by Matthews-Gerbar, Ltd. to be defective in material or workmanship and returned to an authorized service location, as Matthews-Gerbar, Ltd. designates, shipping costs prepaid, will be, as the exclusive remedy, repaired or replaced at Matthews-Gerbar Ltd.'s option providing that proof of purchase is provided. For limited warranty claim procedures, see PROMPT DISPOSITION below. This limited warranty gives purchasers specific legal rights, which may vary from state to state.

LIMITATION OF LIABILITY. To the extent allowable under law, Matthews-Gerbar, Ltd.'s liability for consequential and incidental damages is expressly disclaimed. Matthews-Gerbar, Ltd.'s liability in all events is limited to, and shall not exceed, the purchase price paid.

WARRANTY DISCLAIMER. Matthews-Gerbar, Ltd. has made a diligent effort to illustrate and describe the products in this literature accurately: however, such illustrations and descriptions are for the sole purpose of identification, and do not express or imply that the products will necessarily conform to the illustrations or descriptions. **Furthermore, there is no express warranty derived from any viewed sample or model. Matthews-Gerbar, Ltd. disclaims any expressed warranty and implied warranty of merchantability and fitness for a particular use.**

Except as provided below, no warranty or affirmation of fact, expressed or implied, other than as stated in "Limited Lifetime Warranty" above is made or authorized by Matthews-Gerbar, Ltd.

PRODUCT SUITABILITY. Many states and localities have codes and regulations governing sales, construction, installation and/or use of products for certain purposes, which may vary from those in neighboring areas. While Matthews-Gerbar, Ltd. attempts to assure that its products comply with such codes, it cannot guarantee compliance and cannot be responsible for how the product is installed or used. Before purchase and use of a product, please review the product application and national and local codes and regulations, and be sure that the product, installation, and use will comply with them. **Matthews-Gerbar, Ltd. disclaims any expressed warranty and implied warranty of merchantability and fitness for a particular use if any modifications are made to the original manufacturer's product.**

Certain aspects of disclaimers are not applicable to consumer products: e.g. (a) some states do not allow the exclusion or limitation of incidental or consequential damages, so the above limitation or exclusion may not apply to you: (b) also, some states do not allow limitations on how long an implied warranty lasts, consequently the above limitation may not apply to you.

OTHER EXCLUSIONS. This warranty does not cover defects caused by: exposure to extremes of heat and humidity, neglect, modification, alteration, repair or service of the enclosed product by anyone other than an authorized Matthews-Gerbar, Ltd. service center; physical abuse to, or misuse of, the product or operation of it in a manner contrary to the accompanying instructions; or shipment of the product to a Matthews-Gerbar, Ltd. dealer or service center for service. This warranty also excludes all costs arising from adjustment of user controls, products purchased outside of the U.S.A., and costs for initial technical adjustments (set-up). Matthews-Gerbar assumes no liability for labor costs, installation costs or other losses. Consult the operating instructions included with the product for information regarding user controls.

PROMPT DISPOSITION. Matthews-Gerbar, Ltd. will make a good faith effort for prompt correction respect to any product, which proves to be defective within limited lifetime warranty. For any product believed to be defective within limited lifetime warranty, first call or write dealer from whom the product was purchased. Dealer will give additional directions. If unable to resolve satisfactorily, call Matthews-Gerbar, Ltd. at the phone number below, giving the dealer's name, address, date and number of dealer's invoice, and describe the nature of the defect.

MATTHEWS-GERBAR, LTD
1881 INDUSTRIAL DRIVE – LIBERTYVILLE, IL 60048
TEL: 847-680-9043 FAX: 847-680-9043 WWW.MATTHEWSFANCO.COM